

**Operators
And
Parts Manual**

Models:

BB550A *BED BUG*
LANDSCAPE EDGER
CL550A

TABLE OF CONTENTS

Operating Instructions for Cable Layer & Bed Shaper with supplement for accessories

Introduction	3	Operation	16
Congratulations	3	Bed Shaping	16
Use	3	Cable Laying	16
Insure your machine	3		
Good service	3	Maintenance	17
Serial number	3	Maintenance schedule	17
Symbols and decals	4	Checking Drive Chain	18
Decals and machine-bound instructions ...	4	Replacing Drive Chain	18
Location of decals	5	Cleaning and Washing	19
Translation of instructions	6	Lubrication	20
Safety instructions	7	Lubrication schedule	20
General use	7	General	20
Training	8	Troubleshooting	21
Preparations	8	Storage	22
Operating	9	Winter storage	22
Children	9	Service	22
Fuel system	9	Parts	23
Movement/Transport	11	Frame	24
Maintenance	11	Engine	26
Storage	12	Chain Drive	27
Set-Up	13	Steering	28
Controls	14	Rear Axle	29
Steering/Locking Handle	14	Handle	30
Handle Lock	14	Decals	32
Throttle Lever	14	Accessory - Shaper	34
Depth Control Setting Plate	14	Accessory - Cable Layer	35
Transport/Engaged Lever	15	Service journal	36
Choke	15		

INTRODUCTION

Congratulations

Thank you for purchasing a BlueBird lawn care product. Through your confidence in us, you have chosen an exceptionally high quality product.

This manual is a valuable document. It describes your new BlueBird machine. Read the manual carefully before attempting to use the machine. Following the instructions (use, service, maintenance, etc.) can considerably increase the lifespan of your machine and even increase its resale value. Please contact your dealer for more information.

If you sell your BlueBird machine, make sure to give the operator's manual to the new owner.

Use

The BedBug is used to lay edging material and to shape landscaping beds. The cable layer is used to lay invisible fencing and low wattage wiring in trenches in the soil.

Insure your machine

Contact your insurance company to check on insurance coverage for your new machine. You should have all-inclusive insurance for liability, fire, damage and theft.

Good service

Before the machine was delivered it underwent inspection and was adjusted by your dealer. When you need spare parts or support in service questions, warranty issues, etc., please consult the following professional:

This Operator's Manual belongs to machine with serial number:	Engine number:

Serial number

The machine's serial number can be found on the printed plate attached to the chassis of the machine. The plate includes the following information:

- The machine's type designation (MODEL).
- The machine's serial number (S/N).

Please state the type designation and serial number when ordering spare parts.

The engine's serial number is printed on the engine.

The engine type is specified on the crankcase under the air filter but also appears on the decal on the starter.

Please state engine serial number and type when ordering replacement engine parts.

SYMBOLS AND DECALS



Used in this publication to notify the reader of a risk of **personal injury**, particularly if the reader **DOES NOT** follow the instructions given in the manual.



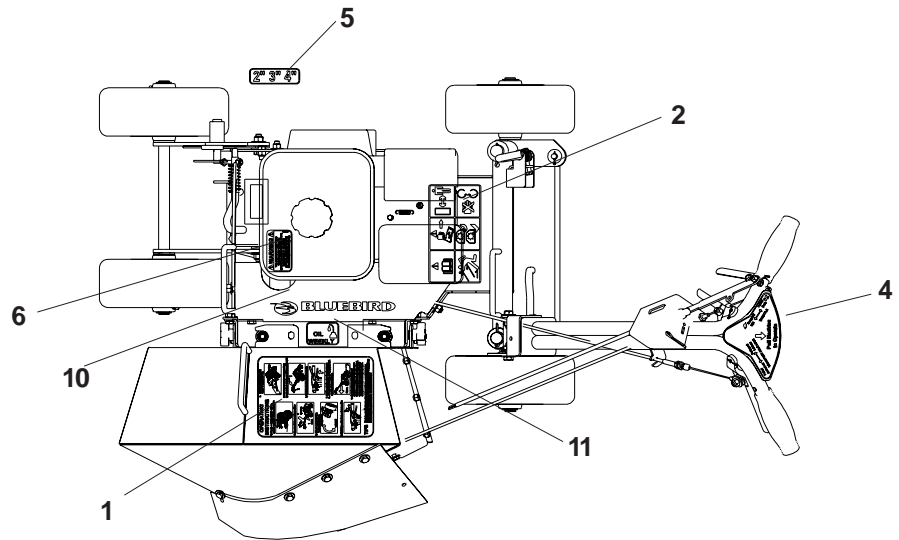
Used in this publication to notify the reader of a risk of **material damage**, particularly if the reader **DOES NOT** follow the instructions given in the manual. Used also when there is a potential for misuse or misassembly.

Decals and machine-bound instructions

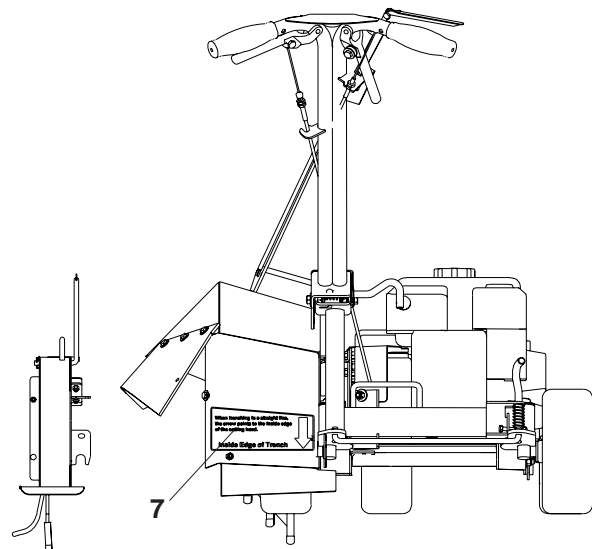
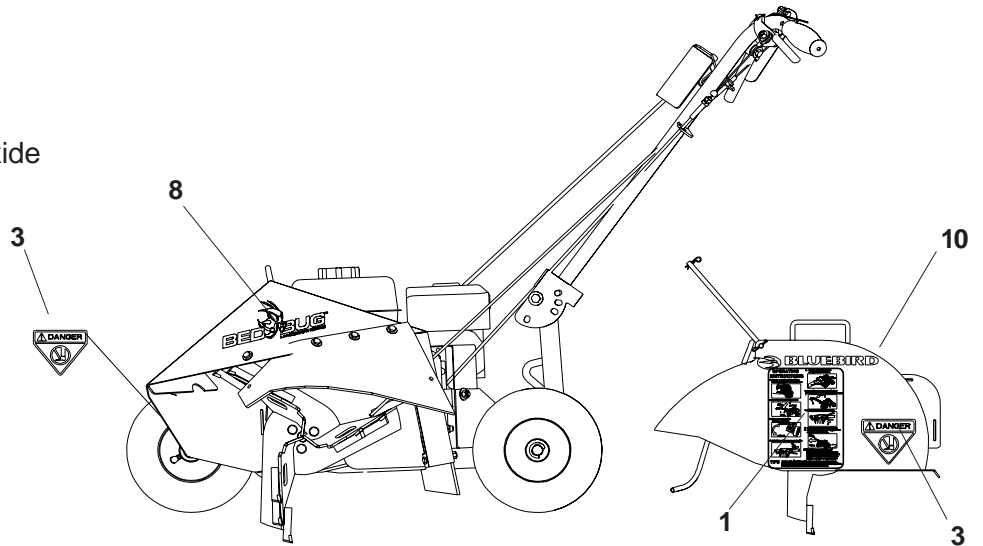
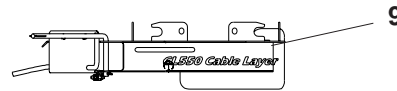
- | | |
|--------------------------------|--------------------|
| 1. Operating instructions | 7. Guideline decal |
| 2. Safety graphics | 8. BedBug decal |
| 3. DANGER watch your feet | 9. Model CL550 |
| 4. Control operations | 10. BlueBird logo |
| 5. Depth decal | 11. Oiling decal |
| 6. Warning for carbon monoxide | |

SYMBOLS AND DECALS

Location of decals



1. Operating instructions
2. Safety graphics
3. DANGER watch your feet
4. Control operations
5. Depth decal
6. Warning for carbon monoxide
7. Guideline decal
8. BedBug Decal
9. Model CL550
10. BlueBird logo
11. Oiling decal



SYMBOLS AND DECALS

Translation of instructions

Decal 2

Important information

Read and make sure you understand the Operator's Manual before use or maintenance.

To obtain a replacement manual, please contact your dealer.

Observe all safety instructions; otherwise you may injure yourself or others around you.

Make sure that the machine is in serviceable condition prior to use.

Make sure that all protective devices are in place when the machine is in use.

Stop the engine and wait until all machine movement comes to a standstill before service, adjustment or cleaning.

Do not run the engine in poorly ventilated spaces.

Make sure nobody is in the vicinity of the machine before starting and during use.

Avoid slopes that are too steep to use the machine safely.

Clear any debris from the lawn prior to use.

Decal 6

Warning

Engine exhaust, some of its constituents and certain vehicle components contain or emit chemicals considered by the State of California to cause cancer, birth defects or other reproductive harm. The engine emits carbon monoxide, which is a colorless, poisonous gas. Do not use the machine in enclosed spaces.

SAFETY INSTRUCTIONS

General use

The object of this manual is to help you use your BlueBird machine safely and to give you information about how to maintain your machine. Please read the manual carefully before attempting to use the machine.

If after reading the operator's manual you are still unsure about the safety risks associated with use of the machine, you should not use the machine. Please contact your dealer for more information.

These safety instructions only address the basics for safe use. It would be impossible in the safety instructions to describe all possible risk situations that could arise when using the machine. You can, however, prevent accidents by always using common sense.

To obtain extra copies of the operator's manual, please contact your dealer.

IMPORTANT INFORMATION

Do not use the machine until you have read the operator's manual carefully and understand the instructions given. All maintenance work or adjustments not described in this manual must be performed by an authorized BlueBird service workshop.

- Read this manual carefully and make sure you understand it before using the machine or performing any maintenance. If the user cannot read this manual, it is the responsibility of the machine owner to explain the contents to the user.
- Follow all safety instructions. Failure to do so may result in injury to yourself or others.
- Accident prevention regulations, other general safety regulations, occupational safety rules and traffic regulations must be followed without fail.
- All users shall be trained in use of the machine. The owner is responsible for training users.
- Engage an authorized BlueBird workshop for all service and repairs not described in this manual.



WARNING!

Under no circumstances may the original design of the machine be modified without written approval from the manufacturer. Such modifications not only affect the performance and durability of the machine but may even pose a safety risk for users and those in the vicinity. Unauthorized modifications to the design of the machine may absolve the manufacturer from liability for any resulting personal injury or property damage. Modifying the machine without written approval from the manufacturer may void the warranty.

- BlueBird original spare parts are designed and specified to maintain high quality and correct fit for optimal durability and lifespan. From a safety point of view, you should only use BlueBird original spare parts.
- Check that all safety decals are in place. See the chapter "Symbols and Decals".
- Learn how to use the machine and its controls safely and learn to recognize the safety decals.
- Check that the machine is in serviceable condition prior to use; see the chapter "Maintenance/Maintenance schedule".
- Only use the machine in daylight or in other well-lit conditions. Keep the machine a safe distance from holes or other irregularities in the ground. Pay attention to other possible risks.
- Only allow the machine to be used by adults who are familiar with its use.

SAFETY INSTRUCTIONS

- Never allow children or persons not trained in the use of the machine to use or service it. Local laws may regulate the age of the user.
- People and animals can distract you causing you to lose control of the machine. For this reason, you should always concentrate and focus on the task at hand.
- Never leave the machine unsupervised with the engine running.
- Make sure that other people are nearby when you are using the machine so that you can call for help should an emergency arise.
- The machine is tested and approved only with the equipment originally provided or recommended by the manufacturer.



WARNING!

The engine can become very hot. To avoid being burned, you must turn off the engine and wait until all parts have cooled before touching the engine.



WARNING!

Overexposure to vibration may lead to circulatory or nerve damage, particularly in people who have impaired circulation. Contact your doctor if you experience symptoms that could have been caused by overexposure to vibration. Examples of common symptoms include numbness, pain, muscle weakness, change of skin color or an uncomfortable feeling of tingling. These symptoms appear most frequently in the fingers, hands or wrists.

Training

- Read the operating and service instruction manual carefully. Be thoroughly familiar with the controls and the proper use of the equipment. Know how to stop the unit and disengage the controls quickly.
- Never allow children to operate the equipment. Never allow adults to operate the equipment without proper instruction.
- Keep the area of operation clear of all persons, particularly small children, and pets.
- Keep in mind that the operator or user is responsible for accidents or hazards occurring to other people, their property, and themselves.

Preparations

- Thoroughly inspect the area where the equipment is to be used and remove all foreign objects.
- Disengage all clutches before starting the engine (motor).
- Do not operate the equipment without wearing adequate outer garments. Wear protective footwear that will improve footing on slippery surfaces.
- Never attempt to make any adjustments while the engine (motor) is running (except where specifically recommended by the manufacturer).
- Make sure that you always have first aid equipment at hand when using the machine.
- Make sure animals and people maintain a safe distance from the machine.
- Find and locate all fixed objects in the ground, such as sprinkler systems, poles, water valves, bases for washing lines, etc. Be certain to check for hidden electrical cables or similar in the surface of the lawn. Always run the machine around these objects. Never intentionally run the machine over foreign objects.
- Make sure all guard plates and protective shields are in place and intact when using the machine.

SAFETY INSTRUCTIONS

- Makes sure no clothing, long hair or jewelry can catch in moving machine parts.
- Wear approved ear-protection when running the machine. Ask your dealer about approved ear-protection.



WARNING!

Always use approved protective clothing and approved protective equipment when using the machine. Protective clothing and protective equipment cannot eliminate the risk of accidents, but wearing proper clothing and the correct equipment will reduce the degree of injury should an accident occur. Ask your dealer about approved protective clothing and approved protective equipment recommended by BlueBird.

Operating

- Do not put hands or feet near or under rotating parts.
- Exercise extreme caution when operating on or crossing gravel drives, walks, or roads. Stay alert for hidden hazards or traffic.
- After striking a foreign object, stop the engine (motor), remove the wire from the spark plug, thoroughly inspect the machine for any damage, and repair the damage before restarting and operating the machine.
- Exercise caution to avoid slipping or falling.
- If the unit should start to vibrate abnormally, stop the engine (motor) and check immediately for the cause. Vibration is generally a warning sign of trouble.
- Stop the engine (motor) when leaving the operating position, before unclogging the tines, and when making any repairs, adjustments, and inspections.
- Take all possible precautions when leaving the machine unattended. Disengage the power take-off, lower the attachment, stop the engine.
- Before cleaning, repairing, or inspecting, shut off the engine and make certain all moving parts have stopped. Disconnect the spark plug wire, and keep the wire away from the plug to prevent accidental starting.
- Do not operate the engine in a confined space where dangerous carbon monoxide fumes can collect.
- Never operate the machine without proper guards, plates, or other safety protective devices in place.
- Keep children and pets away.
- Do not overload the machine capacity by attempting to till too deep at too fast a rate.
- Never allow bystanders near the unit.
- Use only attachments and accessories approved by the manufacturer of the machine (such as wheel weights, counterweights, and the like.)
- Never operate the BedBug without good visibility or light.
- Be careful when trenching in hard ground. The tines may catch in the ground and propel the BedBug forward. If this occurs, let go of the handlebars and do not restrain the machine.
- Use extreme caution when pulling the machine towards you.
- Do not change the engine governor settings or overspeed the engine.
- Start the engine carefully according to instructions and with feet well away from the tines.
- Never pick up or carry a machine while the engine is running.
- Do not operate the BedBug while under the influence of alcohol or drugs.
- Do **not** use the machine on grades of more than 20°. We recommend working across slopes rather than up and down. This will yield a more even result. Do **not** leave the machine standing on a slope unattended.
- Do not use the machine on any surface other than earth, dirt, ground.

SAFETY INSTRUCTIONS

- Make sure you have a proper foothold when using the machine, particularly when backing. Walk, don't run. Never work on wet grass. Poor traction may cause you to slip.
- Slow down and be especially careful on slopes. Make sure to run the machine in the recommended direction on slopes. Be careful when working close to sudden changes in level.
- Smoking, open flames or sparks in the vicinity of the machine are **strictly** forbidden. Gasoline is extremely flammable and carelessness in handling can result in personal injury or fire.



WARNING!

Engine exhaust, some of its constituents and certain vehicle components contain or emit chemicals considered to cause cancer, birth defects or other reproductive harm. The engine emits carbon monoxide, which is a colorless, poisonous gas. Do not use the machine in enclosed spaces.

Children

Serious accidents can occur if you fail to be on guard for children in the vicinity of the machine. Never assume that children will stay put where you last saw them.

- Keep children away from the machine.
- Keep children away from the work area and under close supervision by another adult.
- Keep an eye out and shut off the machine if children enter the work area.
- Never allow children to operate the machine.
- Be particularly careful near corners, bushes, trees or other objects that block your view.

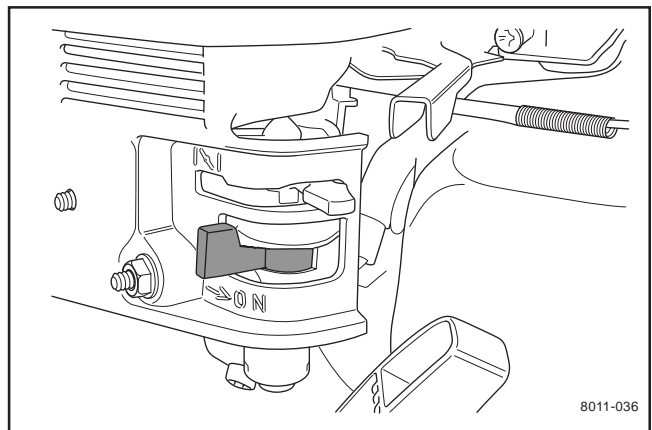
Fuel system



WARNING!

Gasoline and gasoline fumes are poisonous and extremely flammable. Be especially careful when handling gasoline, as carelessness can result in personal injury or fire.

- Store fuel in containers specifically designed for this purpose.
- Refuel outdoors only and do not smoke while refueling
- Add fuel before starting the engine. Never remove the cap of the fuel tank or add fuel while the engine is running or when the engine is hot.
- Do not smoke when filling the gasoline tank and do not pour gasoline in the vicinity of sparks or open flame.
- If fuel is spilled, do not attempt to start the engine but move the machine away from the area of spillage and avoid creating any source of ignition until fuel vapors have dissipated.
- Replace all fuel tank and container caps securely.
- Turn off the fuel supply for storage or transport.
- If leaks arise in the fuel system, the engine must not be started until the problem has been resolved.



Close the fuel valve.

8011-036

SAFETY INSTRUCTIONS

- Check the fuel level before each use and leave space for the fuel to expand, because the heat from the engine and the sun can otherwise cause the fuel to expand and overflow.
- Avoid overfilling. If you spill gasoline on the machine, wipe up the spill and wait until it has evaporated before starting the engine. If you spill gasoline on your clothing, change your clothing.

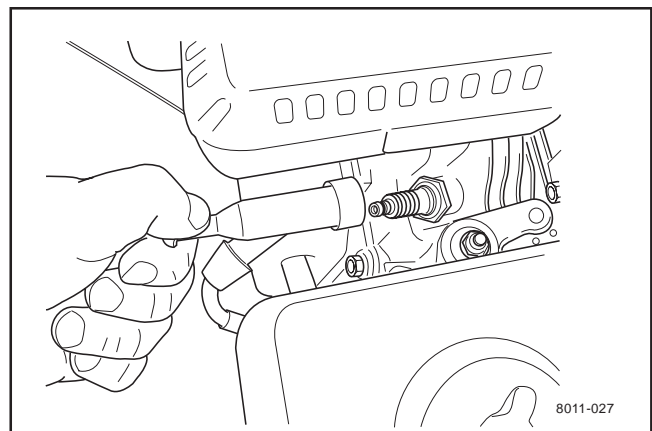
Movement/Transport

- To turn and steer the machine, unlock wheels and pull by handle.
- Turn off the engine and allow it to cool at least 2 minutes before transport.
- Collapse the handle if the machine is equipped with a collapsible handle.
- Be careful and use safe lifting and moving techniques when loading/unloading the machine.
- We recommend having two people to lift the machine.
- Fasten the machine properly in place with approved fasteners, such as tension belts, chains or rope. Always check that you are in compliance with applicable traffic regulations before transporting the machine.

Maintenance

- Keep machine, attachments, and accessories in safe working condition.
- Check shear bolts, engine mounting bolts, and other bolts at frequent intervals for proper tightness to be sure the equipment is in safe working condition.
- Never make adjustments with the engine running.
- Disengage the drive units, shut off the engine and wait until all moving parts come to a complete stop before making adjustments, performing maintenance or cleaning the machine.
- Disconnect the spark plug cable before beginning repair work.

- Keep all components in serviceable condition and make sure all nuts, bolts, etc. are tight. Replace worn or damaged decals.
- Be careful when checking work tools. Use gloves when performing maintenance work.
- Never allow persons not trained in the use of the machine to perform service on it.
- Always park the machine on even ground before performing maintenance or making adjustments.
- Do not disassemble the engine. This can invalidate your engine warranty. Contact your dealer if you have any questions regarding service or warranty matters. Follow all maintenance instructions.
- Do not change the setting of governors and avoid running the engine with overly high RPM. If you run the engine too fast, you risk damaging the machine components.
- Do not modify safety equipment. Check regularly to be sure it works properly. The machine must not be run with defective or disassembled safety equipment.
- The muffler is designed to maintain sound levels at an approved level and keep direct exhaust away from the user. Exhaust gases from the engine are extremely hot and may contain sparks that can cause fires or burn the user.
- Never use a machine with a defective muffler.
- Reduce the risk of fire by removing grass, leaves and other debris that may have caught in the machine.



Disconnect the spark plug cable before repair work.

SAFETY INSTRUCTIONS



WARNING!

Wait until all moving parts are completely still before performing maintenance on the machine.

Turn off the engine and remove the spark plug cable.

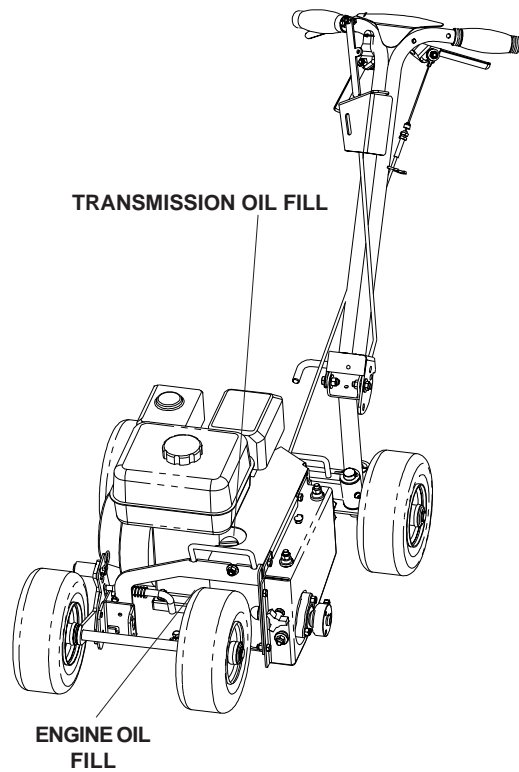
Storage

- Never store the machine with fuel in the fuel tank inside a building where ignition sources are present, such as hot water and space heaters, clothes dryers, etc. Allow the engine to cool before storing in any enclosure.
- Store the machine with the fuel valve closed.
- Always refer to the operator's manual for important details if the unit is to be stored for an extended period.
- If the fuel tank has to be drained, do this outdoors.
- Store the machine in a locked space away from children and adults untrained in use of the machine.

SET-UP INSTRUCTIONS

Bed Shaper and Cable Layer:

1. Remove unit from box and pallet.
2. Fill unit engine with oil. Check engine manual for type and viscosity of oil.
3. Fill transmission with oil. Check engine manual for type and viscosity of oil.



CONTROLS

Steering/Locking Handle:

This setting is chosen at the rear axle. See Figure 1.

Lift and rotate the lever clockwise to steer unit and counter clockwise to lock steering.

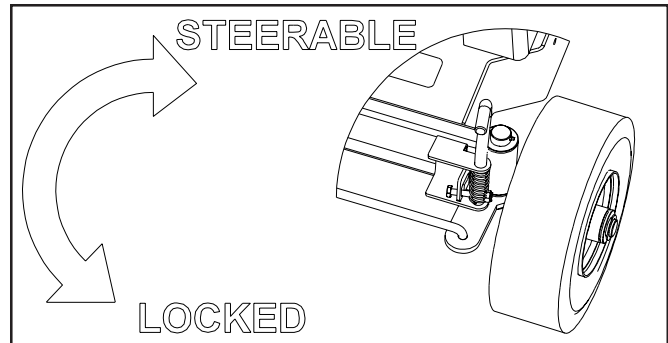


FIGURE 1

Handle Lock: See Figure 2.

Pull and hold lever, raise or lower the handle to desired position, then release lever. The lever can be locked back to allow a “floating” handle position if desired.

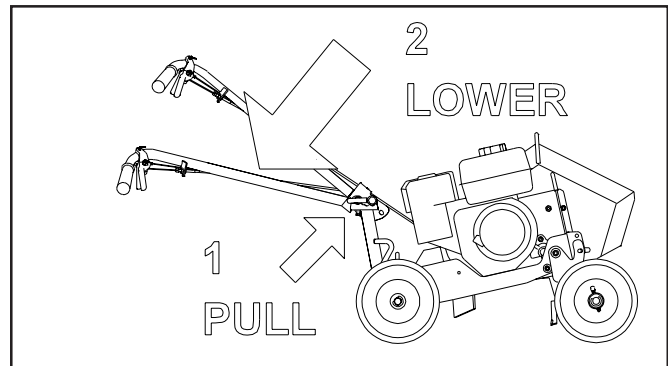


FIGURE 2

Throttle Lever: Pull right pistol to apply full throttle.

The engine has a contained centrifugal clutch, so increasing engine RPM above 2000 will engage the drive. Releasing the throttle lever brings engine back to idle speed and disengages drive.

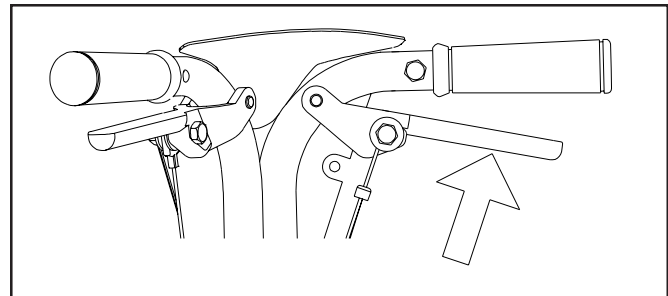


FIGURE 3

Depth Control Setting Plate: Choose a depth position setting, and pin axle lock in desired position. See Figure 4.

Place the unit into transport position. Pull the clevis pin out and slide the height plate until the desired depth lines up with the 2”, 3” or 4” deep decal. Replace the pin, the 1/2” pin should line up with the desired setting. Three depth positions are available, 2”, 3”, 4” deep.

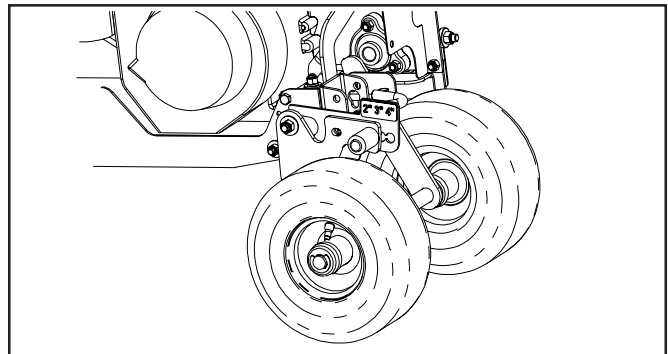


FIGURE 4

CONTROLS

Transport/Engaged Lever: To lock in transport position, pull left pistol (see Figure 5) and apply downward pressure. When wheels begin to drop, release pistol, continue downward movement of handle until pin locks axle in transport position. See Figure 6.

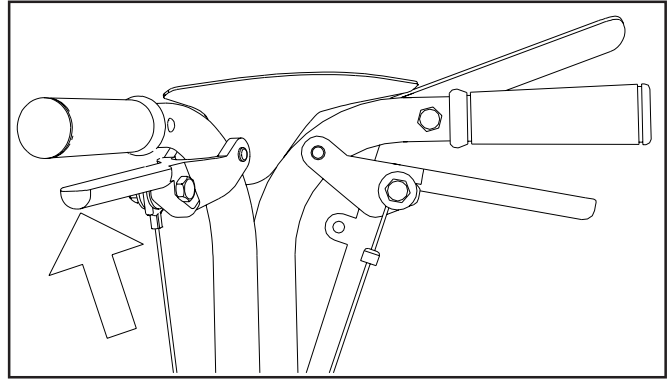


FIGURE 5

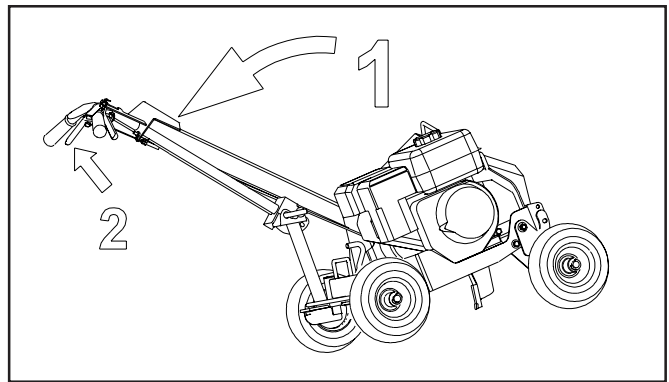


FIGURE 6

Engine: Refer to your engine manual.

OPERATION

IMPORTANT INFORMATION

Clear the lawn of any debris.

Clearly mark rocks and other fixed objects.

Be especially sure to check for hidden electrical cables or similar in the surface of the lawn.

BED SHAPING

1. Clean the area to be worked, create either a mental image of the border or paint an edge on the turf.
2. Check the machine for loose hardware, fill engine fuel.
3. Perform all the settings and adjustments on the machine found in the Controls section.
4. Start out very slowly, learning the feel of the machine as you slowly pull the machine along the planned course.
5. If you must use the machine in wet or muddy conditions, you will need to clean out the shield regularly.

CABLE LAYING

1. Clean the area to be worked, create either a mental image of the border or paint an edge on the turf.
2. Check the machine following previous instructions.
3. Perform all the settings and adjustments on the machine found in the Controls section.
4. Perform all pre-operation checks and adjustments and move machine into position to begin trenching.
5. At the place you want to begin laying wire, feed out approximately 3 feet of wire and fasten securely to a stake driven into the ground as an anchor for the wire approximately 1 inch behind machine.
6. Start machine, lower cutter into ground, gently pull machine back slowly until ground blade enters trench and begins to bury wire.
7. Carefully pull machine, following premarked course. **DO NOT** go so fast that the machine engine slows down. If machine stalls, push machine toward cable trench only 1 inch and allow engine to return to full speed.
6. If you must use the machine in wet or muddy conditions, you will need to clean out the shield.

MAINTENANCE


Maintenance schedule

The following is a list of maintenance procedures that must be performed on the machine. For those points not described in this manual, visit an authorized service workshop.

Maintenance	Daily maint. before starting	Maintenance interval months/hours			
		1/25	3/50	6/100	12/300
Check the engine oil level	●				
Replace engine oil ¹⁾	●			●	
Check the air filter	●				
Clean the air filter ²⁾			●		
Replace air filter cartridge ²⁾					●
Clean sludge reservoir for fuel system				●	
Check and clean the spark plug				●	
Replace the spark plug					●
Check idle speed					●
Check and adjust play in valves ⁴⁾					○
Clean fuel tank ⁴⁾					○
Check, replace fuel lines as necessary ^{4, 5)}					○
Check throttle cable	○				
Check decals and warning signs	○				
Check wear and tension on the chain		●			
Check the chassis, bolts and set screws			○		
Lubrication; see the Lubrication schedule					

¹⁾ First change after 20 hours. ²⁾ In dusty conditions maintenance is required at shorter intervals. ³⁾ With daily use, the machine shall be lubricated twice weekly. ⁴⁾ Performed by authorized service workshop. ⁵⁾ Performed every second year.

- = Described in this manual.
- = Not described in this manual.



WARNING!

No service operations may be performed on the engine or unit unless:

- The engine is stopped.
- The ignition cable has been removed from the spark plug.
- The machine is securely parked where it will not tip or begin rolling.

MAINTENANCE

Tightening the drive chain

1. Allow the engine to cool.
2. Remove the spark plug cable.
3. Remove guard only.
4. Using a 9/16 wrench and a 9/16 socket wrench loosen the mounting idler bolt, slide up to tension chain, re-tighten bolt.

Visually checking the drive chain and sprockets

1. Allow the engine to cool.
2. Remove the spark plug cable.
3. Remove the guard, cutting head, chain cover and transmission cover.
4. DO NOT remove the mounting hub from the shaft.
5. Check that the chain is running in the proper track; the sprockets should guide the chain in a straight line.
6. Check the chain for cracks, heat damage or worn edges. If these symptoms appear, replace the drive chain; see "Replacing the drive chain".
7. Check that the tensioning equipment for the chain is not loose and is properly set; see "Replacing the drive chain".
8. Refit the chain cover, transmission cover, cutting head and shield.

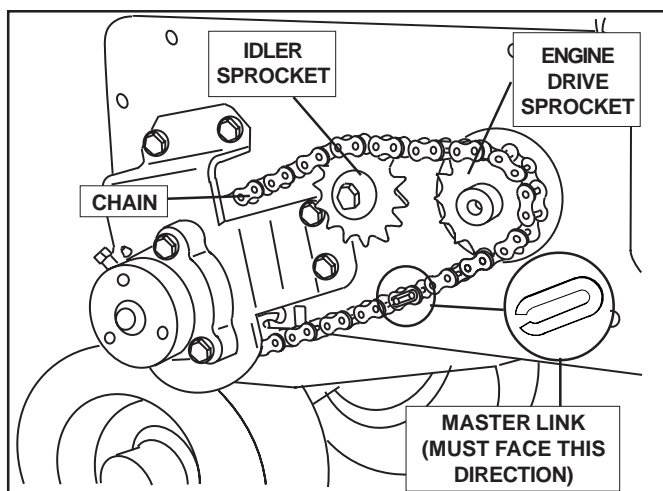
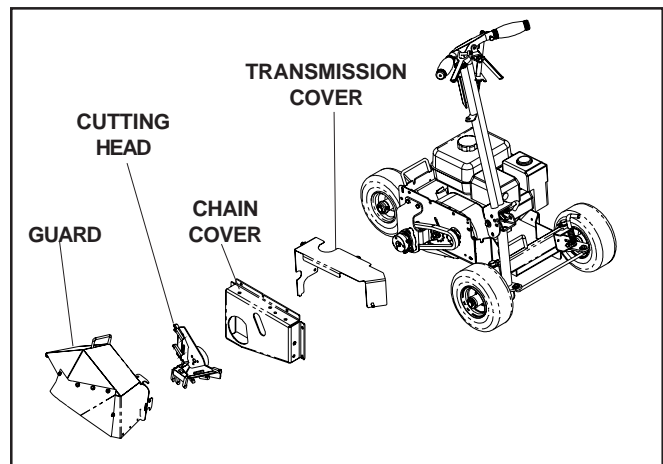
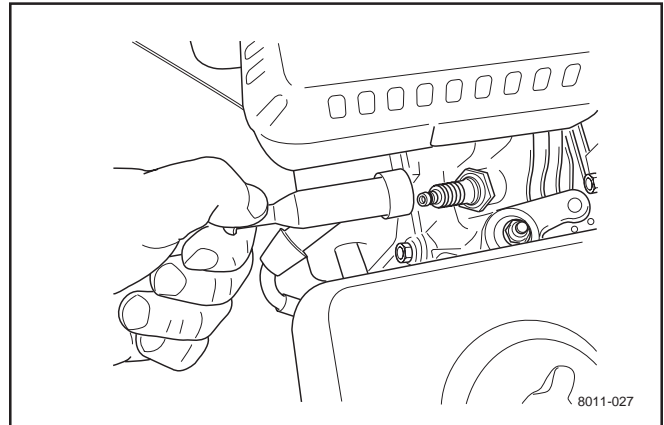
Replacing the drive chain

Replace the drive chain as follows:

1. Allow the engine to cool.
2. Remove the spark plug cable.
3. Remove the guard, transmission cover, cutting head and chain cover.
4. Remove old chain.
5. Check for wear on the sprockets and replace as necessary.
6. Check the engine sprocket alignment to the shaft driven sprocket and adjust as necessary. The chain should run straight.
7. Fit a new chain, the chain tensioner should maintain 1/8" movement in the lower chain (maximum).

NOTE: Master link MUST face correct direction or it may come off.

8. Replace transmission cover, chain cover, cutting head and guard.



MAINTENANCE

Cleaning and washing

Regular cleaning and washing will increase the machine's lifespan. Make it a habit to clean the machine directly after use, before the dirt sticks.

Check before rinsing that the fuel tank lid is properly in place to avoid getting water in the tank.

Use caution when using high-pressure spray because warning decals, instruction signs and the engine can be damaged. **Do not exceed 70 bar/ 1000 PSI water pressure when cleaning.**

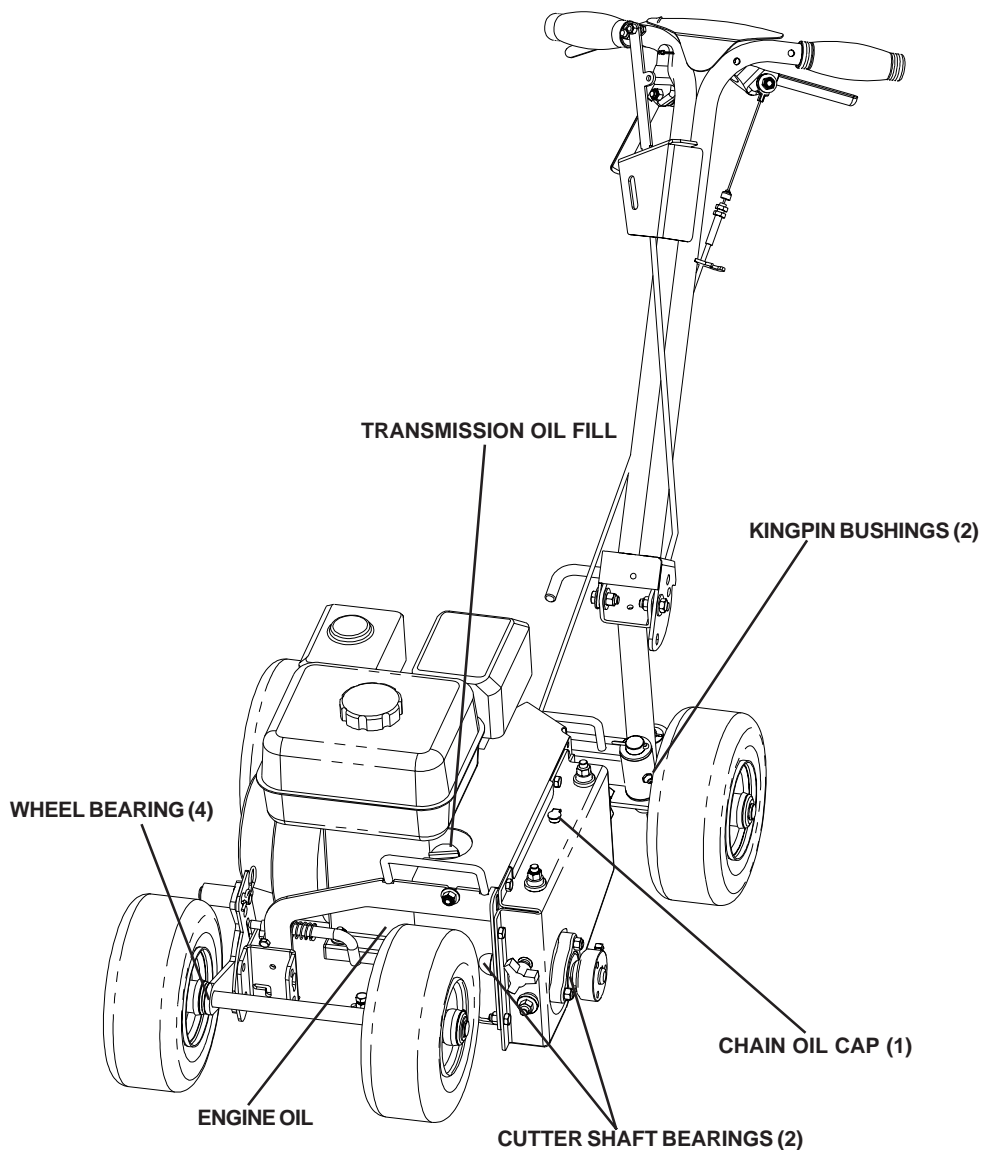
Lubricate the machine after cleaning. This is particularly important if the machine is to be stored.

Oil the chain after every cleaning, grease the bearing zerks and the front axle spindle bushing zerks.

LUBRICATION

Lubrication schedule

1. Check engine oil daily, change every six months or 100 hours.
2. Check and lubricate wheel bearings once a month.
3. Lubricate chain once a week or every 20 hours.
NOTE: Spin the cutting head slowly by hand to distribute the oil onto the chain and sprockets.
4. Lubricate the (kingpin bushings) once a month.
5. Grease the bearings on the cutter shaft once a week or every 20 hours.
NOTE: The chain supplied is a quality permalube chain, but it **MUST** be oiled by the user each 20 hours to keep the sprockets and chain lubricated. Failing to oil the chain will cause premature failure of the chain and three (3) sprockets.
6. Check oil in transmission regularly. Refill if required. Use same oil in transmission as engine. See engine owners manual.



General

Stop the engine and remove the spark plug cable before attempting to lubricate the machine. Wipe away excessive grease after lubrication.

TROUBLESHOOTING

Symptom	Cause	Action	
The engine will not start			
• User error	Fuel valve closed.	Open the fuel valve.	
	Choke valve open.	Close the choke with cold engine.	
	Operator presense switch not held down.	Move to operator position and hold down.	
	Engine switch in OFF position.	Turn the engine switch to ON.	
• Fuel system	Fuel tank empty.	Fill with fuel.	
	Machine stored without observing proper procedure from chapter "Storage/Winter storage"	Clean tank, sludge reservoir and empty carburetor. Fill the tank with fresh fuel.	
	Contamination, water or ice in fuel system.	Clean tank, sludge reservoir, fuel lines and carburetor. Fill the tank with fresh fuel.	
	Carburetor problems.	Contact an authorized service workshop.	
• Spark plug	Wrong spark plug type.	Replace the spark plug.	
	Build-up on electrodes. Short circuit.	Check electrode gap and clean or replace spark plug.	
	Gasoline or oil on the spark plug.	Clean the spark plug. Air the engine out. Start with full throttle.	
• No spark after checking spark plug	Faulty engine switch, cable or ignition.	Contact an authorized service workshop.	
• Low compression	Serious interior engine damage or faulty valves.	Contact an authorized service workshop.	
Engine is under powered or runs unevenly			
• Air filter	Clogged air filter.	Clean or replace the air filter.	
• Fuel system	Machine stored without observing proper procedure from chapter "Storage/Winter storage"	Clean tank, sludge reservoir and empty carburetor. Fill the tank with fresh fuel.	
	(Blue exhaust)	Tank filled with 2-cycle mixed oil.	Fill the tank with proper fuel.
	(Voluminous blue-white exhaust)	Tank filled with diesel.	Clean tank, sludge reservoir and empty carburetor. Fill the tank with proper fuel.
(Black exhaust)	Choke left on.	Open choke valve.	
	Clogged air filter.	Clean or replace the air filter.	
	Carburetor problems.	Contact an authorized service workshop.	
• Ignition system	Wrong spark plug type.	Replace the spark plug.	
	Build-up on electrodes. Short circuit.	Check electrode gap and clean or replace spark plug.	
	Faulty ignition unit.	Contact an authorized service workshop.	
• Low compression (possible blue exhaust)	Serious interior engine damage or faulty valve.	Contact an authorized service workshop.	

STORAGE

Winter storage

At the end of the season, the machine should be readied for storage (or if it will not be in use for longer than 30 days). Fuel allowed to stand for long periods of time (30 days or more) can leave sticky residues that can plug the carburetor and disrupt engine function.

Fuel stabilizers are an acceptable option to reducing sticky residues during storage. If alkylate gasoline (Aspen) is used, stabilizers are unnecessary because this fuel is stable. However, you should avoid switching between regular and alkylate gasoline as sensitive rubber components can harden. Add stabilizer to the fuel in the tank or in the storage container. Always use the mixing ratios specified by the manufacturer of the stabilizer. Run the engine for at least 10 minutes after adding the stabilizer so that it reaches the carburetor. Do not empty the fuel tank and the carburetor if you have added stabilizer.



WARNING!

Never store an engine with fuel in the tank indoors or in poorly ventilated spaces where fuel vapor can come in contact with open flame, sparks or a pilot light such as in a boiler, hot water tank, clothing dryer, etc.

Handle the fuel with caution. It is very flammable and careless use can cause serious damage to person and property. Drain the fuel into an approved container outdoors and far away from open flame. Never use gasoline for cleaning. Use a degreaser and warm water instead.

Service

When ordering spare parts, please specify the purchase year, model, type, and serial number.

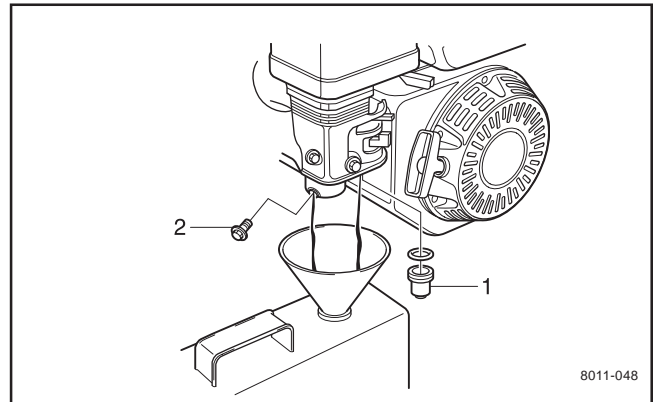
The chain on this unit is a high quality permalube type. DO NOT replace with a simple roller chain. Oil chain and sprockets per lube schedule.

Always use genuine BlueBird spare parts.

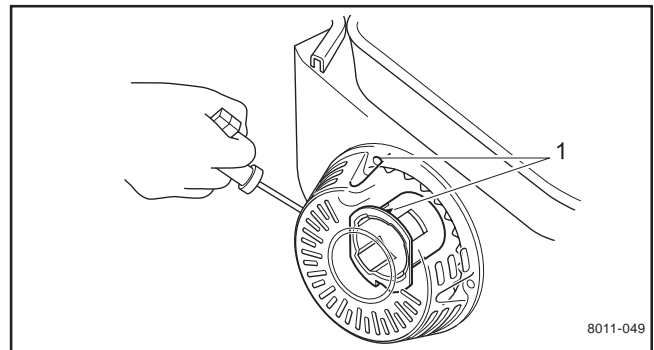
An annual check-up at an authorized service workshop is a good way to ensure that your machine performs its best the following season.

To ready the machine for storage, follow these steps:

1. Clean the machine carefully, particularly the chassis and working equipment. Mend damage to the paint to prevent rust.
2. Inspect the machine for worn or damaged parts and tighten any nuts or bolts that may have become loose.
3. Change the engine oil; dispose of properly.
4. Open the fuel valve. Empty the fuel tank (1) and the carburetor (2).



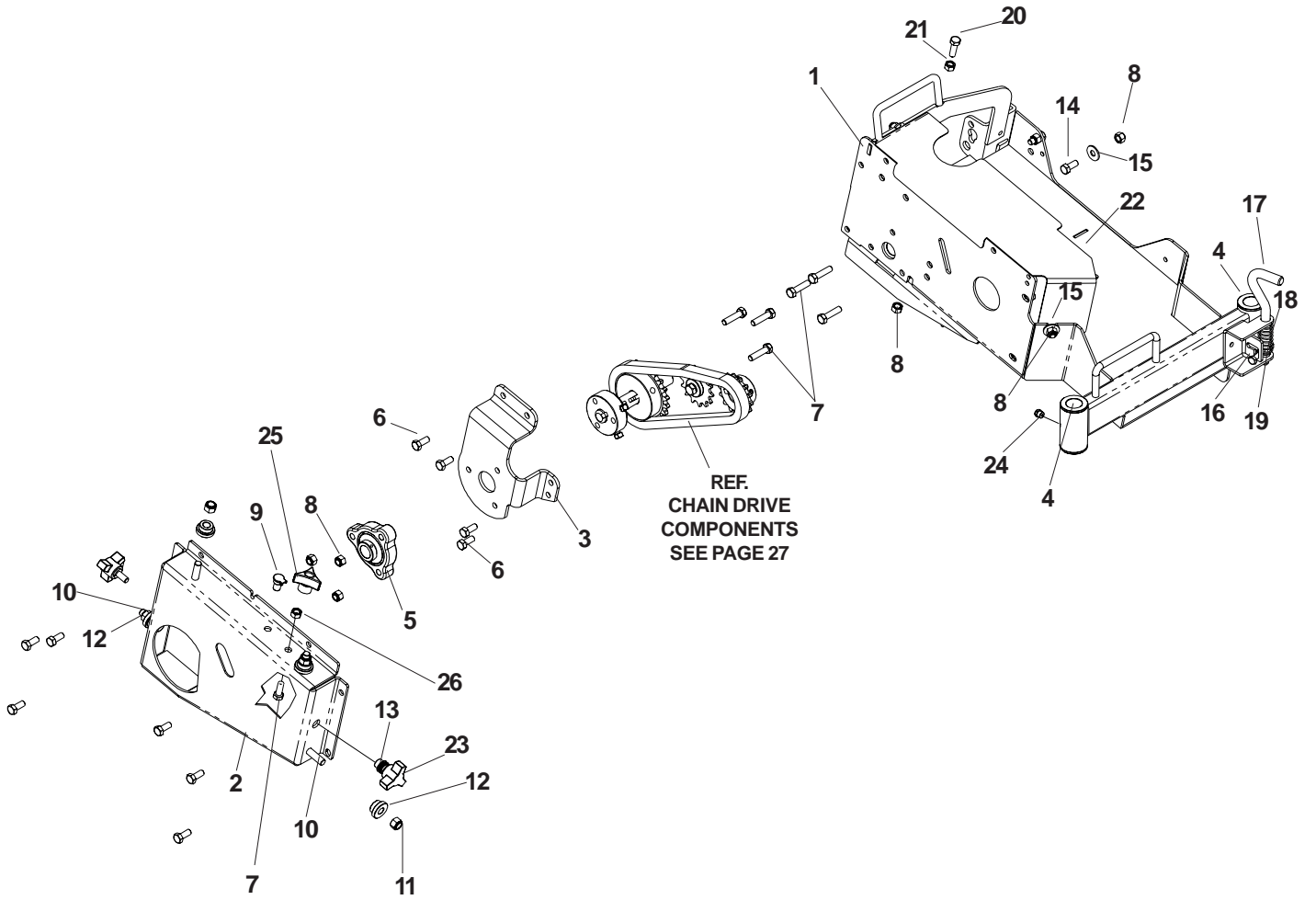
5. Close the fuel valve.
6. Remove the spark plug and pour about a tablespoon of engine oil in the cylinder. Turn over the engine so that the oil is evenly distributed and then refit the spark plug. Put the engine in the compression phase where the triangle mark on the sleeve of the starter is aligned with the upper hole in the starter. Note: Compression phase occurs every second revolution.



7. Lubricate all grease zerks, joints and chains as described in the chapter "Lubrication/Lubrication schedule".
8. Store the machine in a clean, dry place and cover it for extra protection.

PARTS

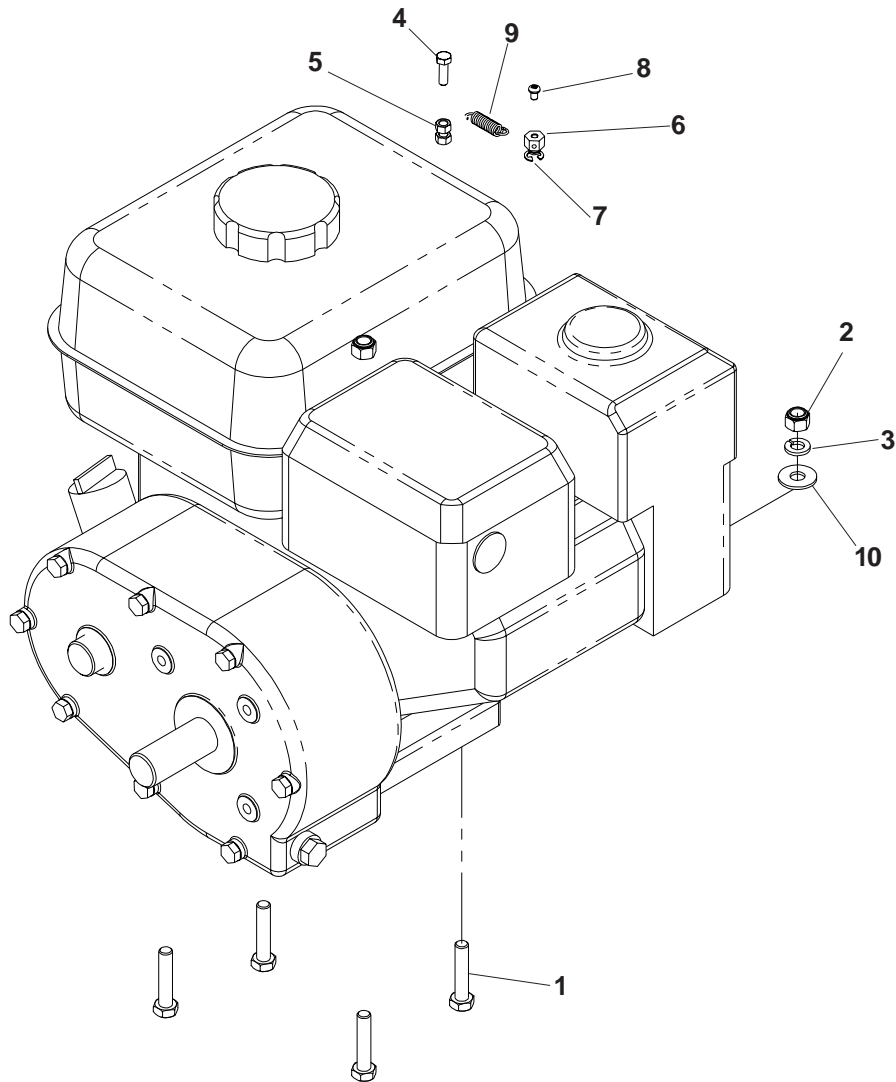
FRAME



FRAME

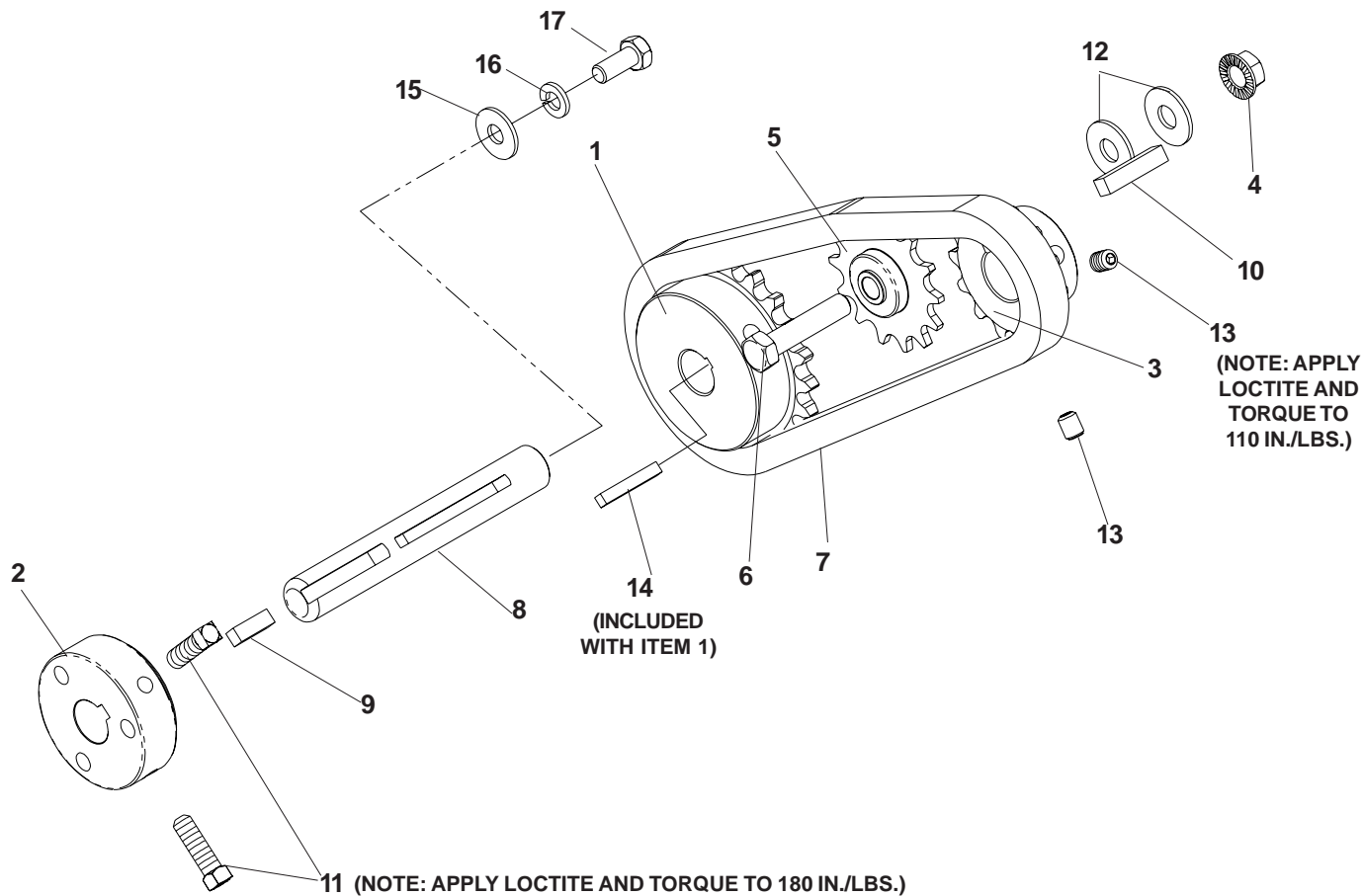
ITEM	PART NO.	QTY.	DESCRIPTION
1	109739	1	FRAME
2	111101	1	CHAIN COVER W/DECALS
3	109894	1	BEARING SUPPORT
4	101232	4	BUSHING, FLANGED - PM
5	100488	2	BEARING, GREASEABLE
6	976934	10	HCS, 5/16-18 X 3/4, GR5
7	990627	7	HCS, 5/16-18 X 1 1/4, GR5
8	990717	17	NUT, 5/16C, NYLOC
9	109545	1	OIL CAP
10	976941	4	HCS, 3/8-16 X 1 1/4, GR5
11	976979	8	NUT, 3/8C, NYLOC
12	106847	4	BUSHING
13	101704	2	WASHER, SEALING
14	990206	2	HCS, 5/16-18 X 3/4, GR5
15	990692	3	WASHER, 5/16
16	991003	1	HCS, 1/4-20 X 1 3/4, GR5
17	109526	1	SPRING PIN
18	20034	1	SPRING, COMPRESSION
19	976978	1	NUT, 1/4C, NYLOC
20	990209	1	HCS, 5/16-18 X 1, GR5
21	990196	1	NUT, 5/16C
22	110858	1	COVER
23	104411	2	KNOB W/STUD
24	976997	2	ZERK
25	111321	1	KNOB W/NYLOC
26	107897	1	NUT, 5/16-18, JAM

ENGINE



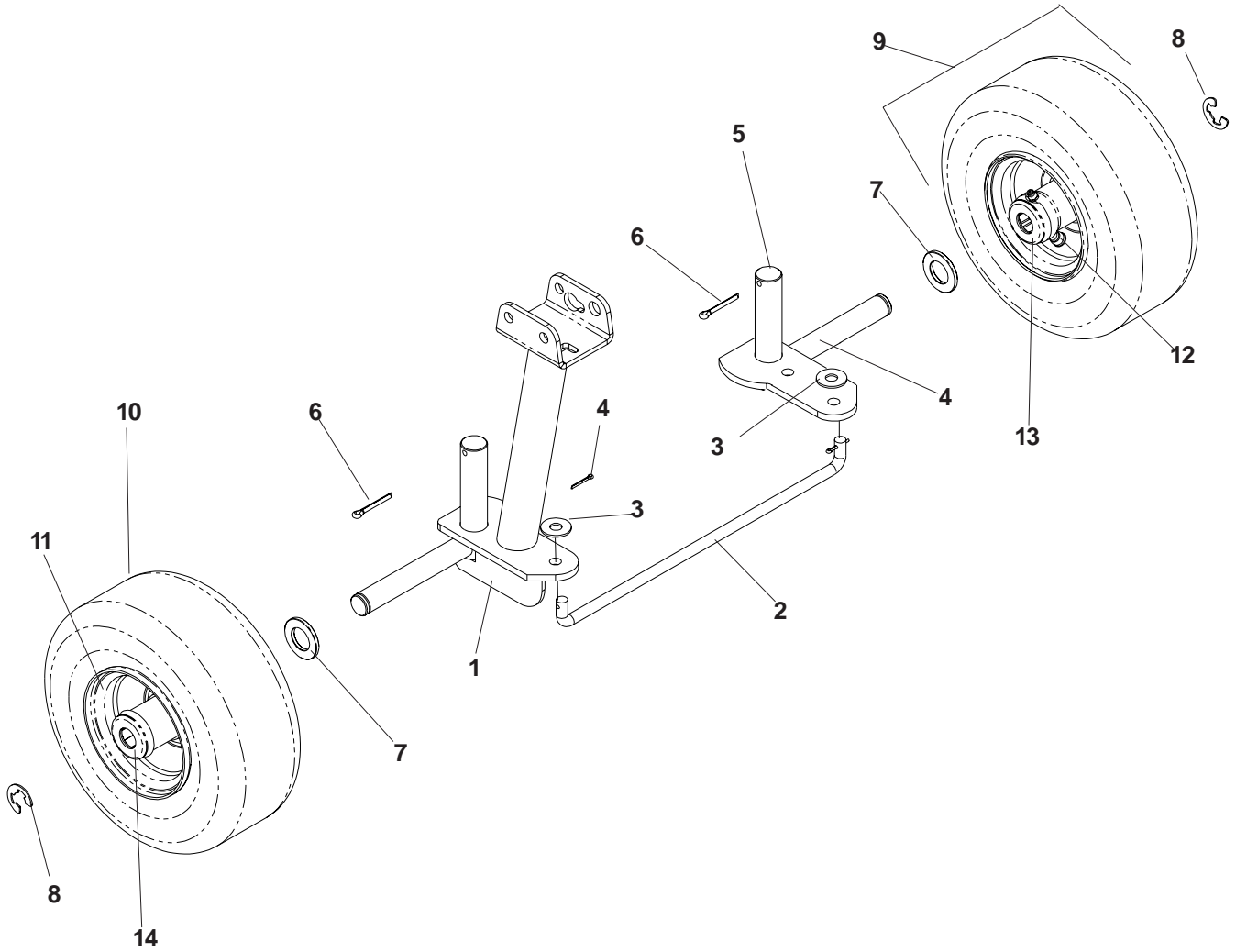
ITEM	PART NO.	QTY.	DESCRIPTION
1	990669	4	HCS, 5/16-18 X 1 3/4, GR5
2	990717	4	NUT, 5/16C, NYLOC
3	990187	4	LOCKWASHER, 5/16
4	108520	1	HCS, M5-0.8 X 16MM, GR8.8
5	109154	2	NUT, 5MM-.8
6	30449	1	CLAMP, THROTTLE CABLE
7	30451	1	E-RING CLIP, THROTTLE
8	108583	1	SCREW, THROTTLE
9	30445	1	SPRING, THROTTLE
10	990692	4	WASHER, 5/16

CHAIN DRIVE



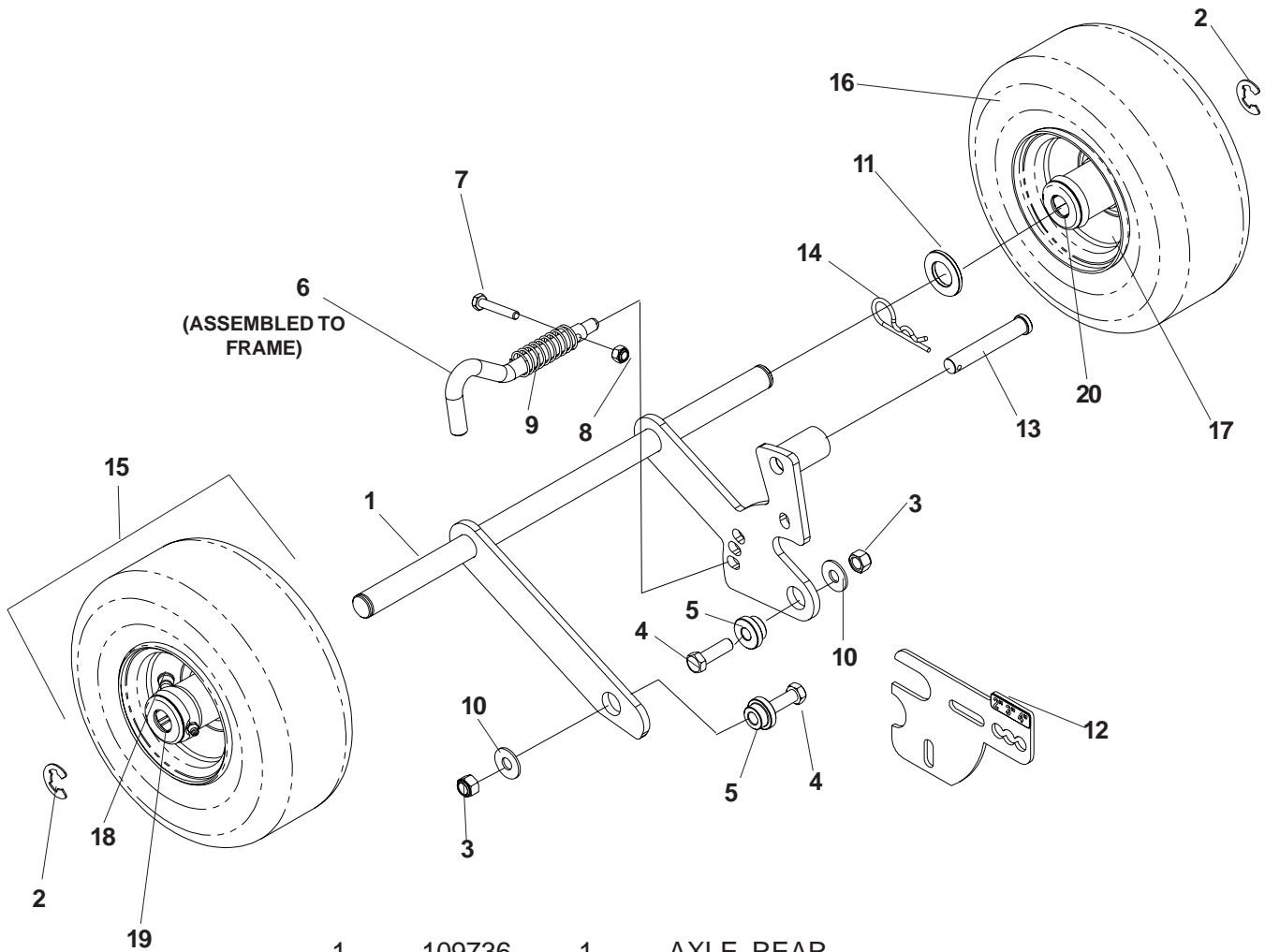
ITEM	PART NO.	QTY.	DESCRIPTION
1	111106	1	SPROCKET W/KEY (21 TOOTH)
2	109514	1	MOUNTING HUB
3	111102	1	SPROCKET W/SET SCREWS & KEY, ENGINE 14 TOOTH
4	990613	1	NUT, 3/8C
5	0300C	1	SPROCKET, IDLER #40, 14 TOOTH
6	990730	1	HCS, 3/8-16 X 1 3/4, GR5
7	109507	1	CHAIN W/MASTERLINK, #40
8	112042	1	SHAFT, MAIN
9	102067	1	KEY, 1/4" SQ. X 3/4"
10	109159	1	KEY, 7MM SQ X 33MM
11	102716	2	SET SCREW, 5/16C X 1 SQ. HD.
12	990517	2	WASHER, 3/8
13	976956	2	KPSS, 5/16C X 3/8
14	109165	1	KEY, 3/16 SQ. X 1 1/4
15	990692	1	WASHER, 5/16
16	990187	1	LOCKWASHER, 5/16
17	976934	1	HCS, 5/16-18 X 3/4

STEERING



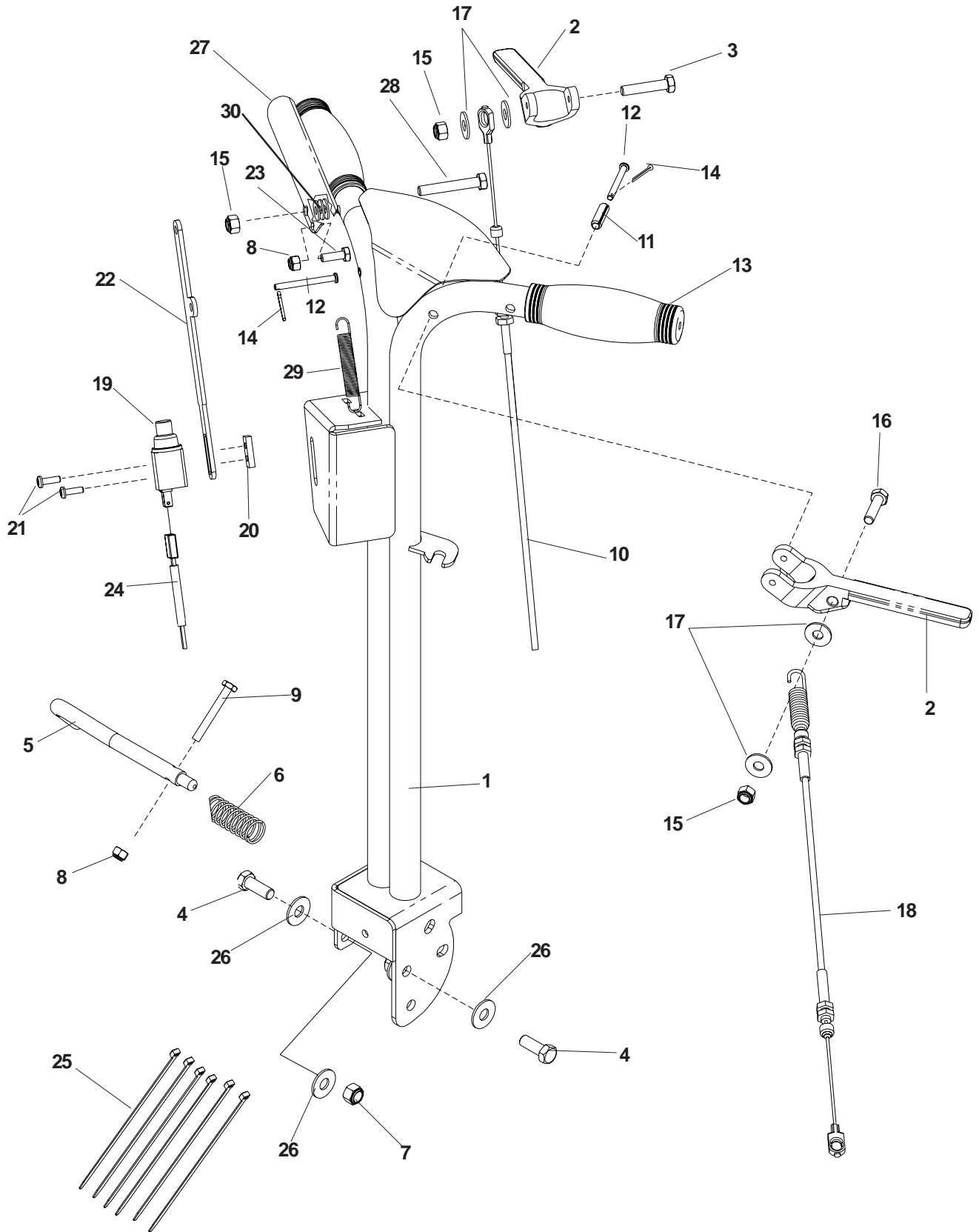
ITEM	PART NO.	QTY.	DESCRIPTION
1	109740	1	ARM WELDMENT, RIGHT
2	109525	1	STEERING ROD
3	990517	2	WASHER, 3/8
4	990037	2	PIN, COTTER, 3/32 X 3/4
5	109742	1	ARM WELDMENT, LEFT
6	990654	2	COTTER PIN, 5/32 X 1 1/4
7	109333	2	WASHER, 3/4, SAE
8	102454	2	E-RING, 3/4"
9	104556	2	WHEELASSEMBLY
10	101905	1	TIRE
11	104618	1	RIM
12	912234	1	AIR VALVE
13	923557	1	ENDCAP
14	977356	1	NOTCHED ENDCAP
	977353	2	ROLLER BEARING (NOT SHOWN)

REAR AXLE



1	109736	1	AXLE, REAR
2	102454	2	E-RING, 3/4"
3	976979	2	NUT, 3/8C, NYLOC
4	976941	2	HCS, 3/8-16 X 1 1/4, GR5
5	106847	2	BUSHING
6	109526	1	SPRING PIN
7	990639	1	HCS, 1/4-20 X 1 1/2, GR5
8	976978	1	NUT, 1/4C, NYLOC
9	20034	1	SPRING, COMPRESSION
10	990517	2	WASHER, 3/8
11	109333	2	WASHER, 3/4, SAE
12	111100	1	DEPTH PLATE W/DECAL
13	109226	1	CLEVIS PIN, 1/2 x 2 1/4
14	976989	1	#4 HAIRPIN
15	104556	2	WHEELASSEMBLY
16	101905	1	TIRE
17	104618	1	RIM
18	912234	1	AIR VALVE
19	923557	1	ENDCAP
20	977356	1	NOTCHED ENDCAP
	977353	2	ROLLER BEARING (NOT SHOWN)

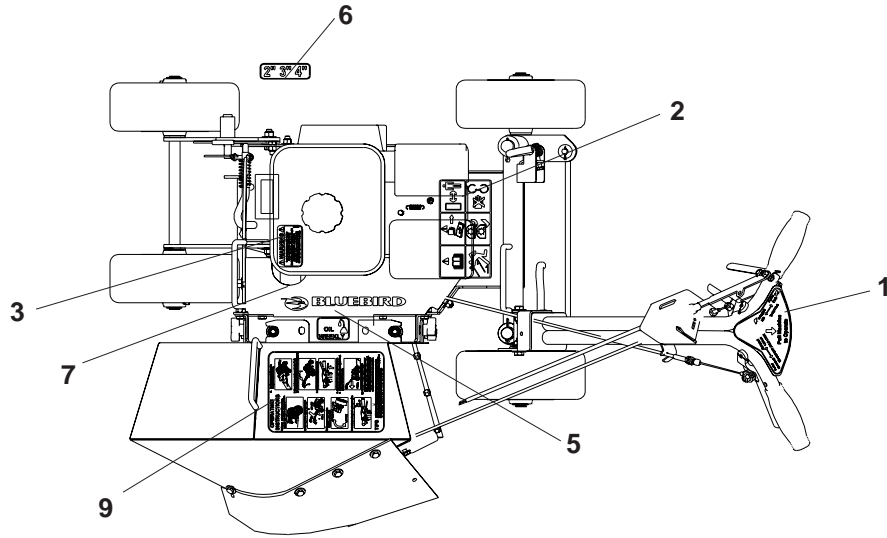
HANDLE



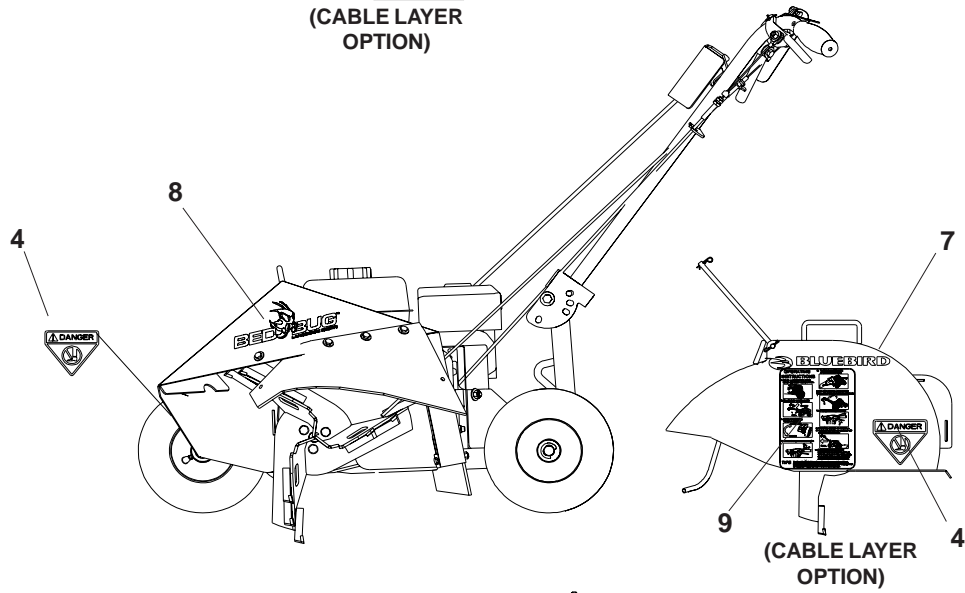
HANDLE

ITEM	PART NO.	QTY.	DESCRIPTION
1	111104	1	HANDLE W/DECALS
2	101791	2	DRIVE LEVER
3	976935	1	HCS, 5/16-18 X 1 1/2, GR5
4	990563	2	HCS, 3/8-16 X 1, GR5
5	109526	1	SPRING PIN
6	20034	1	SPRING, COMPRESSION
7	976979	2	NUT, 3/8C, NYLOC
8	976978	2	NUT, 1/4C, NYLOC
9	101313	1	HCS, 1/4-20 X 2, GR5
10	109549	1	THROTTLE CABLE
11	923313	2	ROLL PIN
12	101213	2	PIN CLEVIS
13	976488	2	GRIP, HANDLE
14	990037	2	PIN, COTTER, 3/32 X 3/4
15	990717	3	NUT, 5/16C, NYLOC
16	990627	1	HCS, 5/16-18 X 1 1/4, GR5
17	990692	4	WASHER, 5/16
18	106827	1	CABLE, DEPTH
19	20017	1	SWITCH, NC PLUNGER TYPE
20	102678	1	TAPPED PLATE
21	976952	2	SCREW, #10-24 X 5/8, MACH.
22	109887	1	O.P. LINKAGE
23	990580	1	HCS, 1/4-20 X 3/4, GR5
24	109890	1	WIRE HARNESS (BRIGGS & STRATTON)
25	976856	6	WIRE TIES (USED TO FASTEN CABLES TO UNIT)
26	990517	4	WASHER, 3/8
27	110855	1	O.P. LEVER
28	976937	1	HCS, 5/16-18 X 2, GR5
29	977250	1	SPRING, OP PRESENCE
30	990598	3	WASHER, 1/4, FLAT

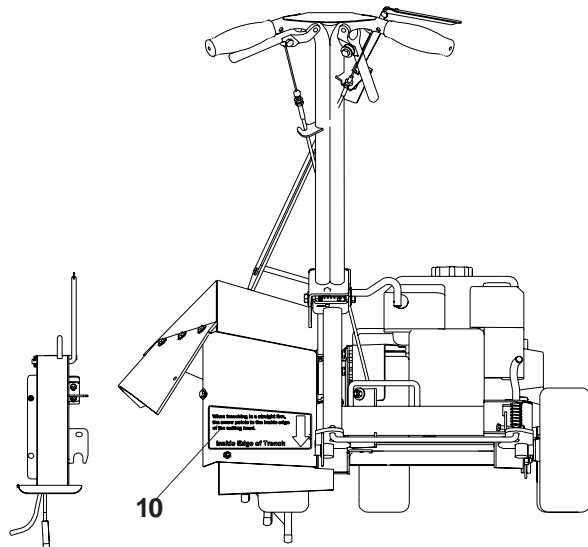
DECALS



(CABLE LAYER OPTION)



(CABLE LAYER OPTION)

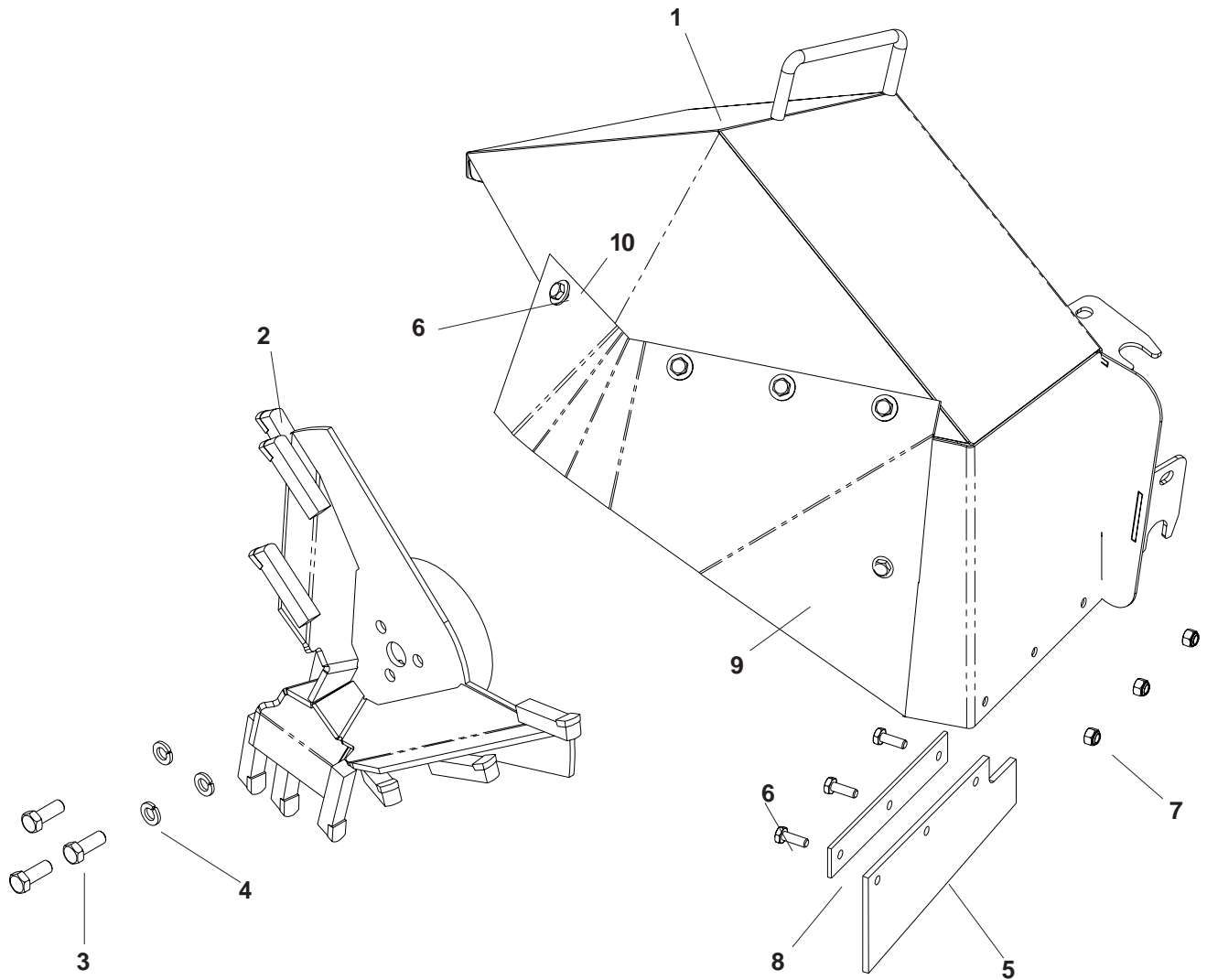


(CABLE LAYER OPTION)

DECALS

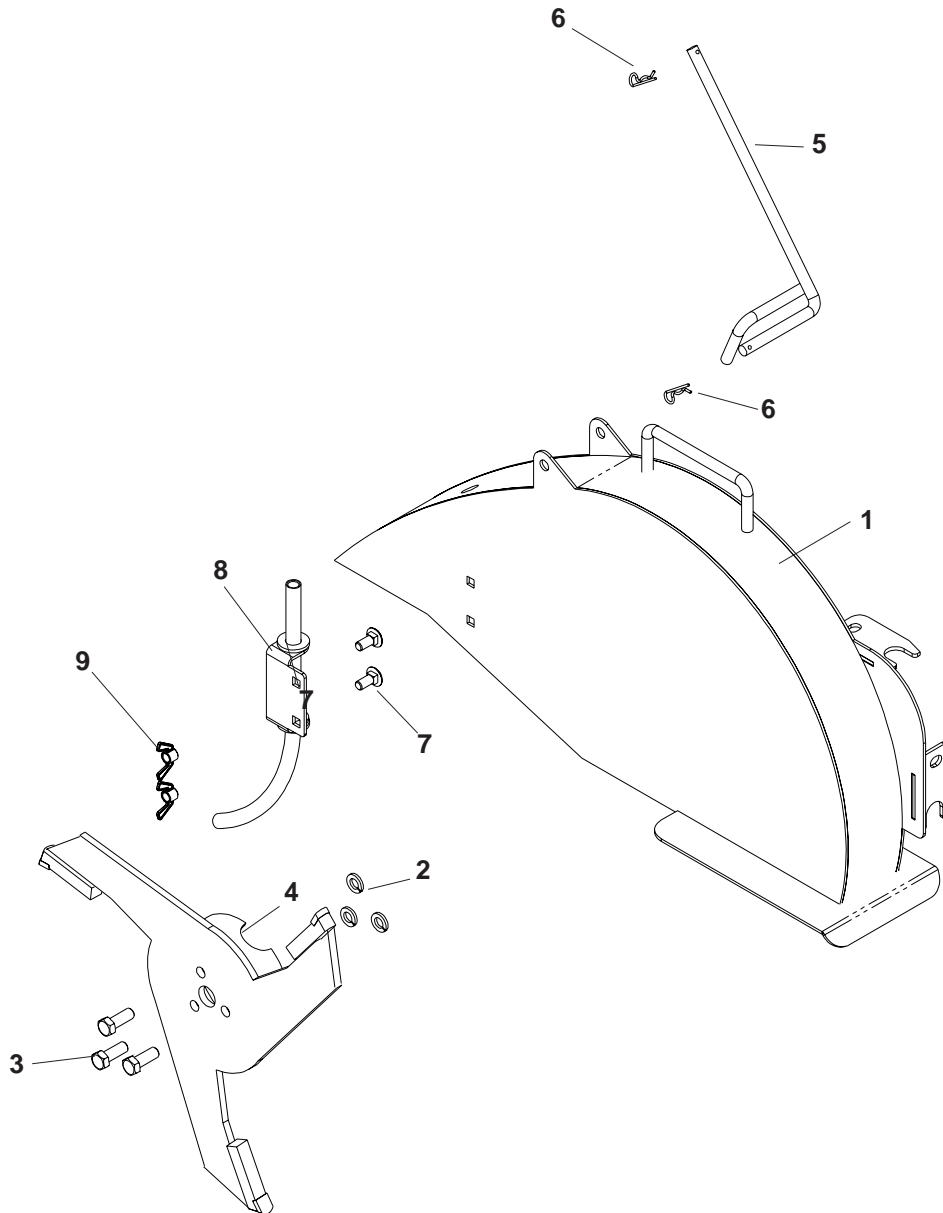
ITEM	PART NO.	QTY.	DESCRIPTION
1	109744	1	DECAL, OPERATION
2	107359	1	DECAL, SAFETY GRAPHICS
3	101881	1	DECAL, PROP 65
4	540200076	1	DECAL, FOOT DANGER
5	109899	1	DECAL, OILING
6	111132	1	DECAL, DEPTH
7	111041	2	DECAL, BLUEBIRD 9" W/BIRD
8	109712	1	DECAL, BEDBUG
9	110854	1	DECAL, INSTRUCTIONS
10	110761	1	DECAL, GUIDE LINE
11	109539	1	DECAL, CL550

ACCESSORY - SHAPER



ITEM	PART NO.	QTY.	DESCRIPTION
1	111103	1	SHAPER GUARD W/DECALS
2	109711	1	SHAPER BLADE
3	990563	3	HCS, 3/8-16 X 1, GR5
4	990118	3	LOCKWASHER, 3/8
5	109733	1	REAR FLAP
6	990580	8	HCS, 1/4-20 X 3/4, GR5
7	976978	8	NUT, 1/4C, NYLOC
8	109534	1	STRAP
9	109882	1	LARGE FLAP
10	990598	5	WASHER, 1/4

ACCESSORY - CABLE LAYER



ITEM	PART NO.	QTY.	DESCRIPTION
1	111916	1	CABLE GUARD W/DECALS
2	990118	3	LOCKWASHER, 3/8
3	990563	3	HCS, 3/8-16 X 1, GR5
4	109877	1	CABLE BLADE
5	109878	1	PIN, SPOOL
6	976988	2	HAIRPIN, .073 X 1 7/16"
7	990316	2	RHSNB, 5/16-18 X 3/4, GR5
8	111915	1	TUBE
9	100276	2	NUT, 5/16-18, NYLOC WINGNUT



P.O. Box 8
Beatrice, Nebraska 68310